

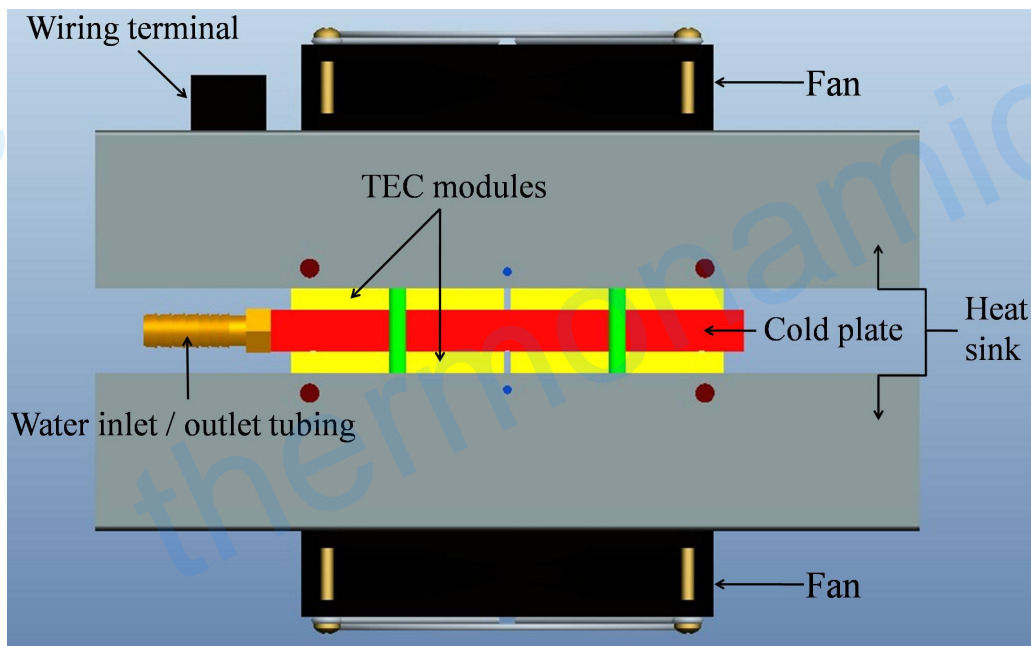
TECC-HL-340W-48V-1 Thermoelectric Cooling/Heating Units

Description

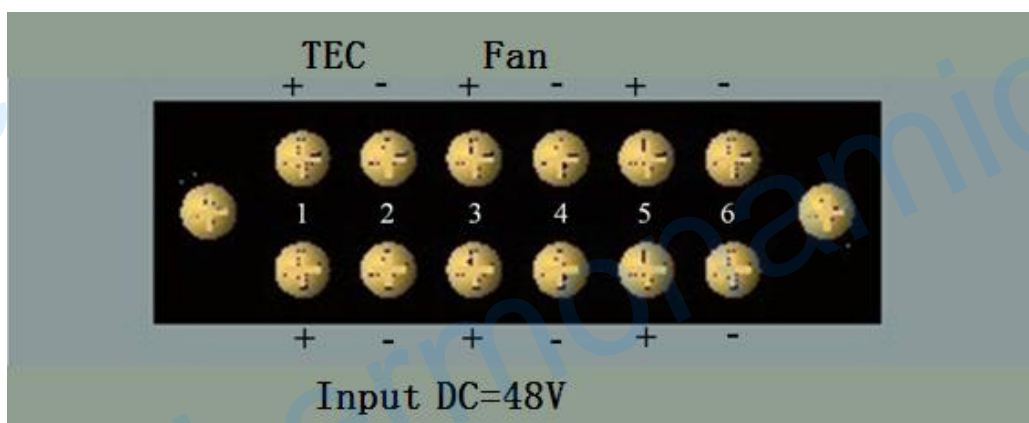
The system introduced here is Air to Liquid type thermoelectric cooling/heating unit with 340 watts cooling power where we use heat sink with fans for heat dissipating of thermoelectric modules to cool or heat up the circulated water or liquid. The unit is designed for cooling or heating circulated liquid purpose. It can cool 4 Liters of water from 25 °C down to 1 °C within one hour, and also can be used to heat up water up to 100 °C. Built up with our high performance TEC series thermoelectric cooling modules, the unit demonstrates superior performance.

340 W thermoelectric cooling/heating unit runs on 48 VDC with 11.2 A current drawn. When the red wire is connected to positive and black to negative it is in cooling mode, and if the polarity is reversed, then in heating mode.

Structure of the System



Over-all Structure of the Thermoelectric Cooling units

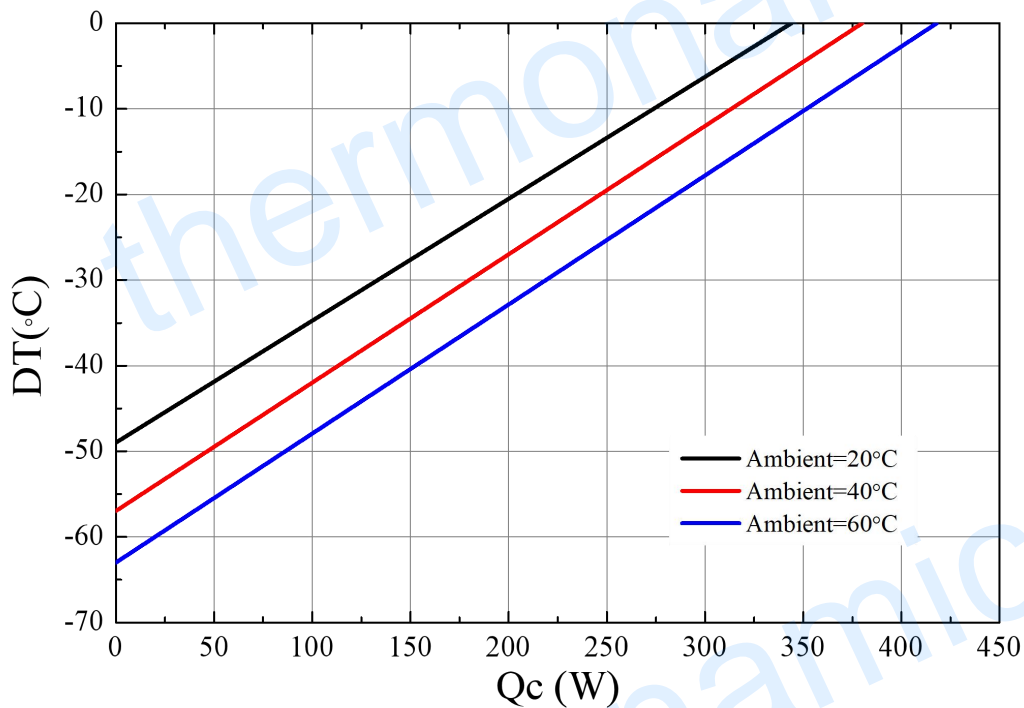


Electrical Connection Diagram

Performance Specification Sheet

Part Number		TECC - HL - 340 W - 48 V - 1
Input Voltage / VDC		48
Input Current / A		11.2
Maximum Cooling Power / watts		340
Heat Sink Spec / mm / Quantity		280 × 118.5 × 45 / 2pcs
Fan	Spec / mm / Quantity	120 × 120 × 38 / 2pcs
	Work Condition	48 VDC / 0.20 A, noise level less than 40 dB
Working pressure of water tank / Mpa		0.2
Water in and out let Diameter / mm		6
Over all Dimension (Length × Width × Height) / mm		280 × 120 × 200
Weight / Kg		5.4

Performance Curve for cooling



Remark: DT = Temperature of the cooling liquid minus ambient temperature.